



Con 3 Compresores Bitzer

CFC	Compresor	Potencia Frigorífica				PVP Abierta	PVP Carrozada	Central Condensadora	Condensador Axial		PVP Plano	
		Temperatura media de evaporación							Venti-lador	Caudal Máx.		
400 V-III-50 Hz		5°C	0°C	-5°C	-10°C	€	€	Modelo	EC (Ømm)	m3/h	Nº	€
R134a ALTA Tª.												
CF345.2DES-2Y	2DES-2Y	23,31	18,72	14,79	11,49	20.469	24.909	CF345.2DES-2Y.2C2-L	2xØ630	24.000	2C2-L	29.595
CF345.2CES-3Y	2CES-3Y	28,68	23,1	18,33	14,31	20.699	25.139	CF345.2CES-3Y.2C2-L	2xØ630	24.000	2C2-L	29.825
CF345.4FES-3Y	4FES-3Y	30,48	24,21	18,96	14,58	21.338	25.928	CF345.4FES-3Y.2C2-L	2xØ630	24.000	2C2-L	30.614
CF345.4EES-4Y	4EES-4Y	38,91	31,35	24,96	19,53	21.946	26.536	CF345.4EES-4Y.2C2-L	2xØ630	24.000	2C2-L	32.296
CF345.4DES-5Y	4DES-5Y	46,23	36,93	29,07	22,50	23.667	28.257	CF345.4DES-5Y.2C2-L	2xØ630	24.000	2C2-L	33.567
CF345.4CES-6Y	4CES-6Y	56,88	45,57	36,03	28,08	24.499	29.089	CF345.4CES-6Y.2C2-L	2xØ630	24.000	2C2-L	36.811
CF345.4VES-7Y	4VES-7Y	60,30	48,12	37,71	28,92	28.504	33.244	CF345.4VES-7Y.2C2-L	2xØ630	24.000	2C2-L	38.080
CF345.4TES-9Y	4TES-9Y	72,90	58,32	45,90	35,40	29.276	34.016	CF345.4TES-9Y.2C2-M	2xØ630	31.000	2C2-M	39.626
CF345.4PES-12Y	4PES-12Y	83,70	66,30	51,90	39,63	30.327	35.067	CF345.4PES-12Y.2C2-M	2xØ630	31.000	2C2-M	40.677
CF345.4NES-14Y	4NES-14Y	-	78,60	61,80	47,46	32.026	36.766	CF345.4NES-14Y.2C2-M	2xØ630	31.000	2C2-M	42.376

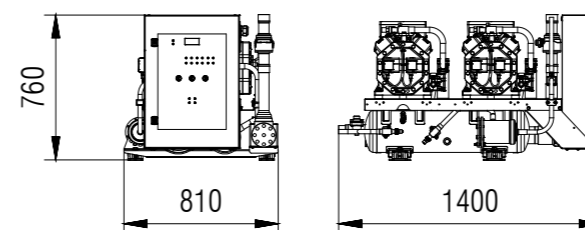
R449a	Modelo	MEDIA Tª.				€	€	Modelo	EC (Ømm)	m3/h	Nº	€
		0°C	-5°C	-10°C	-15°C							
CF345.2EES-3Y	2EES-3Y	24,3	19,41	15,27	11,82	20.699	25.139	CF345.2EES-3Y.2C2-L	2xØ630	24.000	2C2-L	29.825
CF345.2DES-3Y	2DES-3Y	28,17	22,56	17,79	13,80	20.731	25.171	CF345.2DES-3Y.2C2-L	2xØ630	24.000	2C2-L	29.857
CF345.2CES-4Y	2CES-4Y	35,76	28,71	22,74	17,73	21.430	25.870	CF345.2CES-4Y.2C2-L	2xØ630	24.000	2C2-L	30.556
CF345.4FES-5Y	4FES-5Y	39,36	31,50	24,87	19,35	22.470	27.060	CF345.4FES-5Y.2C2-L	2xØ630	24.000	2C2-L	31.746
CF345.4EES-6Y	4EES-6Y	49,38	39,48	31,17	24,18	22.927	27.517	CF345.4EES-6Y.2C2-L	2xØ630	24.000	2C2-L	32.203
CF345.4DES-7Y	4DES-7Y	56,37	45,03	35,49	27,51	24.098	28.688	CF345.4DES-7Y.2C2-M	2xØ630	31.000	2C2-M	34.148
CF345.4CES-9Y	4CES-9Y	71,4	57,36	45,42	35,40	25.309	29.899	CF345.4CES-9Y.2C2-M	2xØ630	31.000	2C2-M	35.359
CF345.4TES-12Y	4TES-12Y	90,3	72,00	56,49	43,65	29.818	34.558	CF345.4TES-12Y.2D2-H	2xØ630	40.000	2D2-H	44.080
CF345.4PES-15Y	4PES-15Y	102,90	81,60	63,60	48,57	30.912	35.652	CF345.4PES-15Y.2D2-H	2xØ630	40.000	2D2-H	45.174
CF345.4NES-20Y	4NES-20Y	-	98,10	77,10	59,64	32.953	37.693	CF345.4NES-20Y.2D2-H	2xØ630	40.000	2D2-H	47.215

R449a	Modelo	BAJA Tª.				€	€	Modelo	EC (Ømm)	m3/h	Nº	€
		-20°C	-25°C	-30°C	-35°C							
CF345.2DES-2Y	2DES-2Y	10,47	7,74	5,52	3,75	20.469	24.909	CF345.2DES-2Y.2C2-L	2xØ630	24.000	2C2-L	29.595
CF345.2CES-3Y	2CES-3Y	13,56	10,14	7,35	5,13	20.699	25.139	CF345.2CES-3Y.2C2-L	2xØ630	24.000	2C2-L	29.825
CF345.4FES-3Y	4FES-3Y	14,76	10,98	7,92	5,49	21.338	25.928	CF345.4FES-3Y.2C2-L	2xØ630	24.000	2C2-L	30.614
CF345.4EES-4Y	4EES-4Y	18,42	13,68	9,84	6,81	21.946	26.536	CF345.4EES-4Y.2C2-L	2xØ630	24.000	2C2-L	31.222
CF345.4DES-5Y	4DES-5Y	20,91	15,51	11,13	7,65	23.666	28.257	CF345.4DES-5Y.2C2-L	2xØ630	24.000	2C2-L	32.943
CF345.4CES-6Y	4CES-6Y	27,12	20,31	14,79	10,38	24.499	29.089	CF345.4CES-6Y.2C2-L	2xØ630	24.000	2C2-L	33.775
CF345.4BES-9Y	4BES-9Y	29,73	22,26	16,2	11,34	25.981	30.571	CF345.4BES-9Y.2C2-L	2xØ630	24.000	2C2-L	35.257
CF345.4TES-9Y	4TES-9Y	33,18	24,48	17,49	10,62	29.276	34.016	CF345.4TES-9Y.2C2-L	2xØ630	24.000	2C2-L	38.852
CF345.4PES-12Y	4PES-12Y	36,57	26,52	18,48	11,28	30.327	35.067	CF345.4PES-12Y.2C2-L	2xØ630	24.000	2C2-L	39.903
CF345.4NES-14Y	4NES-14Y	44,97	33,12	23,61	14,43	32.026	36.766	CF345.4NES-14Y.2C2-L	2xØ630	24.000	2C2-L	41.602

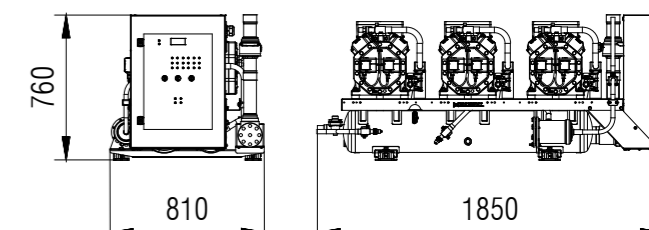
* Condiciones según norma UNE-EN 13215:

Tª ambiente 32 °C, Tª media de evaporación de -10 °C (MT) y -30 °C (BT), sobrecalentamiento 10 K y subenfriamiento 3K.

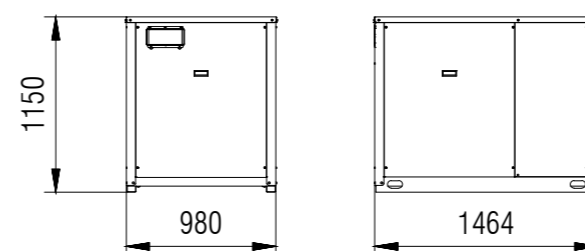
CF230



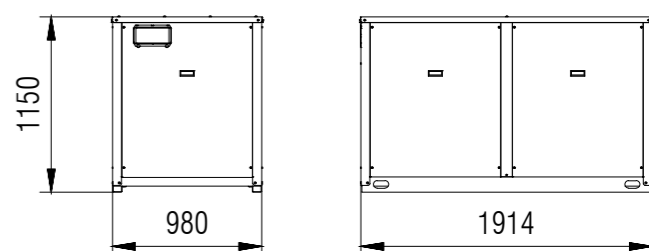
CF345



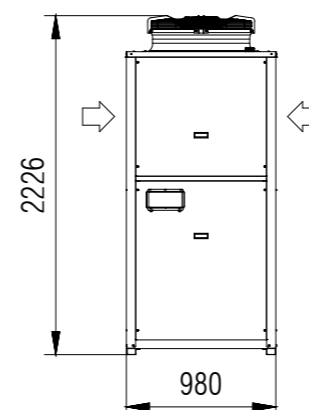
CF-C-230



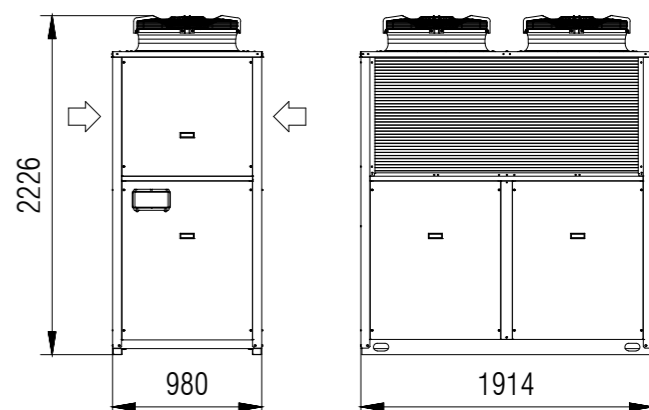
CF-C-345



CFC 2C1



CFC 2C2



CFC 2D2

